





ABOUT US

VIMAL BEARING. is one of the leading bearing companies in India that manufactures and exports Automotive and Industrial bearings as per international standard specifications. VIMAL stands with courage, knowledge and an eye to innovation to produce technologically advanced bearings that reach perfection when it comes to seamless performance.

We offer a wide array of Bearings, namely Taper Roller Bearings, Wheel End Hub Units, Spherical Roller Bearings, Cylindrical Roller Bearings, Deep Groove Ball Bearings, King Pin Bearings & Thrust Bearings for reputed names such as Mercedes-Benz, Volvo, Scania, SAF, DAF, MAN, Renault, Iveco, Hino, Navistar, Kenworth, Freightliner, Fiat trucks, Bed Ford, Zetor, John Deere, Massey Ferguson for overseas markets.

The bearings are required in several industries, such as Automobiles, Agriculture Marine, Industrial Movers and Heavy Earthmoving Industry. Since its inception in 1993, it has been manufacturing, supplying and exporting a plethora of bearings. Meeting high level of excellence and international standard specifications, these bearings effectively used in manufacturing of automobiles, agricultural, Industrial, power motors, appliances and a host of other applications. Efficiency never takes a back seat whether radial or thrust loads and even with high speed rotation. This certainly becomes one of the core strengths of the VIMAL.

We had a very humble beginning, but today we have 2 cutting-edge manufacturing units consisting high-tech machinery at RAJKOT. This advanced infrastructure is spread across 5000 sq. mtr. with the construction in area of 50,000 sq. ft. We have a significant capacity to manufacture 1.5 million bearings per annum.

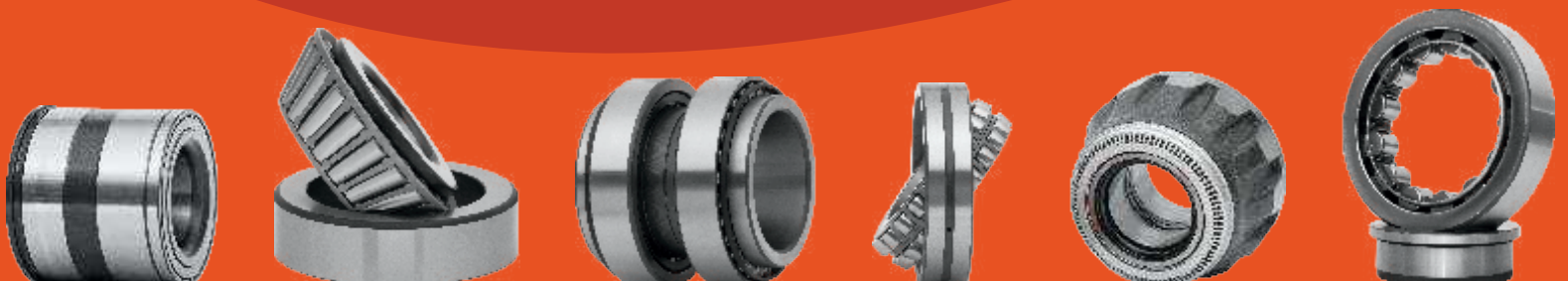
Vimal Bearing is an ISO 9001:2015 certified organization and we manufacture our products under the brand name of 'VEC Bearings' & 'VPB Bearings'

WHY YOU SHOULD PREFER

VIMAL'S

PRODUCTS?

- MATERIAL : IMPORTED SAE 52100 / 100 CR6
- INDUCTION FORGING : TO MAINTAIN PERFECT CHEMICAL COMPOSITION
- SPHERODIZIDE ANNEALING : TO MAINTAIN PERFECT MICROSTRUCTURE
- CNC MACHINING : TO MAINTAIN PERFECT DIMENSIONS
- HARDNESS : FOR BEARING RINGS – 59 HRC TO 63 HRC
FOR ROLLERS – 62 HRC TO 64 HRC
- GRINDING TOLERANCE :
 - 2 POINT - Below 5 microns
 - 3 POINT – Below 3 Microns
 - Ovality - Below 2 Microns
 - Roundness - Below 3 Microns
 - Roughness – Below 0.16 Microns
 - Squareness – Below 5 Microns
 - Face & Lip Parallelism – Below 5 Microns
 - Eccentricity – Below 5 Microns
 - Raceway Profile – Positive Crowning +7 / +12
- ROLLERS : EVERY ROLLER IS BEING SORTED UNDER 2 MICRONS
- VIBRATION & NOISE TESTING : WE ENSURE MINIMUM VIBRATION & LOW NOISE AT HIGH RPM
- VISUAL TESTING : EACH RINGS & ROLLERS ARE VISUALLY CHECKED BEFORE ASSEMBLING TO ACHIEVE ZERO DEFECT PRODUCT.
- PACKAGING : WE SUPPLY PRODUCTS UNDER PRIVATELY REGISTERED BRANDS WITH BEST QUALITY PACKAGING.



MANUFACTURING PROCESS

FORGING

Vimal Bearing use high quality Bearing Steel SAE 52100 / 100CR6 or Equivalent(Modified) Prime Steel of International Acceptability for manufacturing Bearing Rings.

Standard	GRADE	C	Mn	P	S	Si	Ni	Cr	Cu	Mo
ASTM A295	52100	0.93-1.05	0.25-0.45	0.025	0.015	0.15-0.35	0.25	1.35-1.60	0.30	0.10
DIN 17230	100Cr6/1.3505	0.90-1.05	0.25-0.45	0.030	0.025	0.15-0.35	0.30	1.35-1.65	0.30	-
JIS G4805	SUJ2	0.95-1.10	0.50	0.025	0.025	0.15-0.35	-	1.30-1.60	-	-
Bs970	535A99/EN31	0.95-1.10	0.40-0.70	-	-	0.15-0.35	-	1.20-1.60	-	-

Chemical Composition as Per Standard



SPHEROIDIZE ANNEALING

Forged Bearing Rings undergoes Spheroidize Annealing Process which improves Ductility and toughness with reduced Hardness and Strength to produce a definite Microstructure.

CNC MACHINING

After Spheroidize Annealing the Bearing Rings are sent for CNC turning process. Each Rings undergoes Dimensional & Visual Checking.



HEAT TREATMENT PROCESS

One of the Important Step for creating a highly durable & Long lasting Bearings is Heat Treatment Process. Our Heat treatment process consist of Hardening, Super Cooling and tempering which gives stabilized ring structure and increase the life span of bearings.

MANUFACTURING PROCESS

GRINDING

Grinding is the most important process of bearings. To achieve Accurate Dimensions in grinding process, Vimal's fully automatic machines are capable of manufacturing superior quality bearings under highly qualified engineer's team. Vimal's manufacturing unit is equipped with world's best machinery to make world class quality products.



SUPER FINISHING

After Grinding Rings undergoes Super finish process on CNC Super Finish Machine which ensures best Roughness Values. We Control Roughness Values below 0.16 microns for Raceways & Rollers.



INSPECTION

Before assembling bearings, Each and every rings are checked visually and Size of all rings are checked by our engineers in our Inspection room. Only after passing the quality test, components are taken for assembling.



ASSEMBLY & PACKAGING

Our Assembly & packing department is fully automatic with a capacity of packing 5000 pieces per day. We ensure Export Oriented Packaging that Do not Damage the Products.

QUALITY CONTROL LABORATORY

HARDNESS

Each & Every Bearing Ring Hardness are checked before Grinding Process. Hardness is Checked in Digital Hardness Testing Machine which Ensure Exact Hardness Values i.e 58 HRC to 64 Hrc



ROUGHNESS

We have latest Version of MARSURF from MAHR GERMANY to Measure Surface Roughness. It Evaluates parameters like Form Geometry & Surface Finish of Components. This Control helps for Improving the Quality and Product performance in the Field.



ROUNDNESS

MAHRFORM – MAHR GERMANY GMBH. This Equipment is Used for Checking the roundness, Squareness, Concentricity, Coaxiality & Parallelism of Bearing Components which ensures running accuracy for Long Life Bearings.



CONTOUR

MAHR CONTOUR MEASURING MACHINE is Used to Measure Each and every Dimensions of Bearing Components. Dimensions like Grooves, Radius, Chamfers, Surface Degree Etc.

NOMENCLATURES

C3	Internal clearance greater than normal
C4	Internal clearance greater than C3
M	Machined brass cage
N	Snap ring groove in outer ring
NR	Snap ring groove and snap ring in outer ring
P	Polyamide cage
RS	Rubbing seal on one side
2RS	Rubbing seals on both sides
Z	Shield on one side
ZZ	Shields on both sides

ABBREVIATIONS

	Differential
	Gearbox
	Wheel end

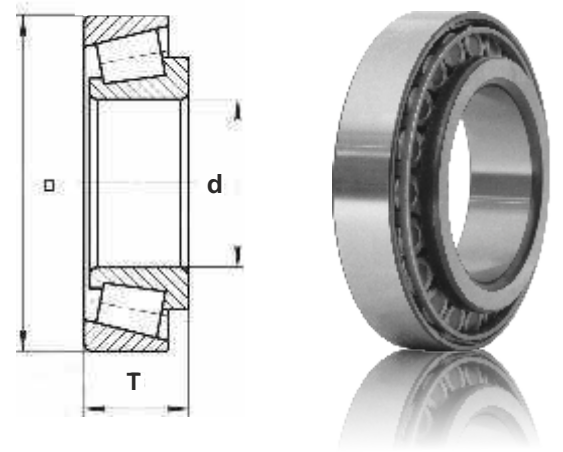
01	Single row tapered roller bearings	6
02	Wheel end hub units	6

01

SINGLE ROW TAPERED ROLLER BEARING



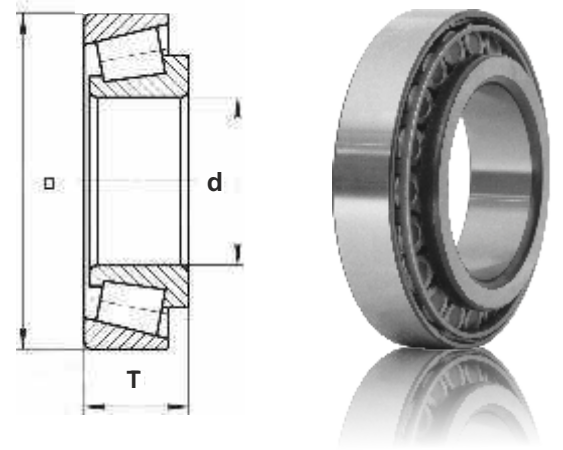
01.1	Metric series	6
01.2	Inch series	6
01.3	Special design bearings	6



01.1 | METRIC SERIES

VIMAL	d (mm)	D (mm)	T (mm)
302 SERIES			
30204V	20,000	47,000	15,250
30205V	25,000	52,000	16,250
30206V	30,000	62,000	7,250
30207V	35,000	72,000	18,250
30208V	40,000	80,000	19,750
30209V	45,000	85,000	20,750
30210V	50,000	90,000	21,750
30211V	55,000	100,000	22,750
30212V	60,000	110,000	23,750
30213V	65,000	120,000	24,750
30214V	70,000	125,000	26,250
30215V	75,000	130,000	27,250
30216V	80,000	140,000	28,250
30217V	85,000	150,000	30,500
30218V	90,000	160,000	32,500
30219V	95,000	170,000	34,500
30220V	100,000	180,000	37,000
30221V	105,000	190,000	39,000
30222V	110,000	200,000	41,000
30224V	120,000	215,000	43,500
30226V	130,000	230,000	43,750

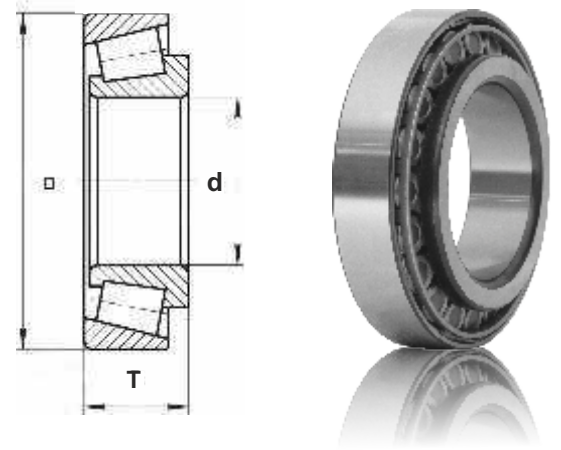
303 SERIES			
30304V	20,000	52,000	16,250
30305V	25,000	62,000	18,250
30306V	30,000	72,000	20,750
30307V	35,000	80,000	22,750
30308V	40,000	90,000	25,250
30309V	45,000	100,000	27,250
30310V	50,000	110,000	29,250
30311V	55,000	120,000	31,500
30312V	60,000	130,000	33,500
30313V	65,000	140,000	36,000
30314V	70,000	150,000	38,000
30315V	75,000	160,000	40,000
30316V	80,000	170,000	42,500
30317V	85,000	180,000	44,500
30318V	90,000	190,000	46,500



01.1 | METRIC SERIES

VIMAL	d (mm)	D (mm)	T (mm)
313 SERIES			
31305V	25,000	62,000	18,250
31306V	30,000	72,000	20,750
31307V	35,000	80,000	22,750
31308V	40,000	90,000	25,250
31309V	45,000	100,000	27,250
31310V	50,000	110,000	29,250
31311V	55,000	120,000	31,500
31312V	60,000	130,000	33,500
31313V	65,000	140,000	36,000
31314V	70,000	150,000	38,000
31315V	75,000	160,000	40,000
31316V	80,000	170,000	42,500
31318V	90,000	190,000	46,500

320 SERIES			
32004 XV	20,000	42,000	15,000
32005 XV	25,000	47,000	15,000
32006 XV	30,000	55,000	17,000
32007 XV	35,000	62,000	18,000
32008 XV	40,000	68,000	19,000
32009 XV	45,000	75,000	20,000
32010 XV	50,000	80,000	20,000
32011 XV	55,000	90,000	23,000
32012 XV	60,000	95,000	23,000
32013 XV	65,000	100,000	23,000
32014 XV	70,000	110,000	25,000
32015 XV	75,000	115,000	25,000
32016 XV	80,000	125,000	29,000
32017 XV	85,000	130,000	29,000
32018 XV	90,000	140,000	32,000
32019 XV	95,000	145,000	32,000
32020 XV	100,000	150,000	32,000
32021 XV	105,000	160,000	35,000
32022 XV	110,000	170,000	38,000
32024 XV	120,000	180,000	38,000
32026 XV	80,000	125,000	29,000
32028 XV	140,000	210,000	45,000
32030 XV	150,000	225,000	48,000

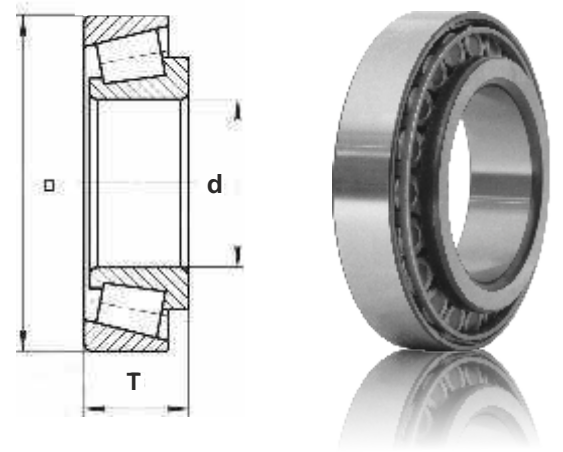


01.1 | METRIC SERIES

VIMAL	d (mm)	D (mm)	T (mm)
320 SERIES			
32032 XV	160,000	240,000	51,000
32034 XV	170,000	260,000	57,000
32036 XV	180,000	280,000	64,000
32038 XV	190,000	290,000	64,000

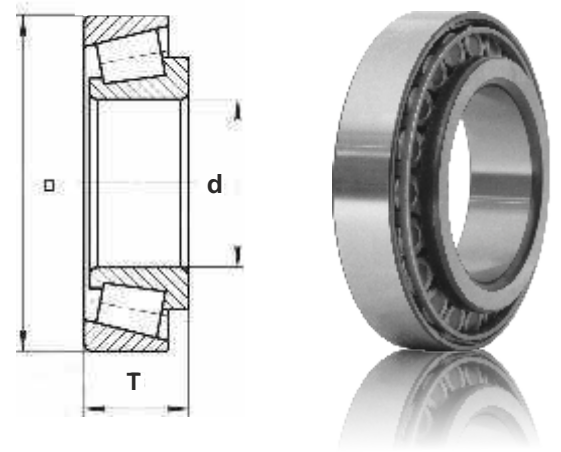
322 SERIES			
32204 V	20,000	47,000	19,250
32205 V	25,000	52,000	19,250
32206 V	30,000	62,000	21,250
32207 V	35,000	72,000	24,250
32208 V	40,000	80,000	24,250
32209 V	45,000	85,000	24,250
32210 V	50,000	90,000	24,250
32211 V	55,000	100,000	26,750
32212 V	60,000	110,000	29,750
32213 V	65,000	120,000	32,750
32214 V	70,000	125,000	33,250
32215 V	75,000	130,000	33,250
32216 V	80,000	140,000	35,250
32217 V	85,000	150,000	38,500
32218 V	90,000	160,000	42,500
32219 V	95,000	170,000	45,500
32220 V	100,000	180,000	49,000
32221 V	105,000	190,000	53,000
32222 V	110,000	200,000	56,000
32224 V	120,000	215,000	61,500
32226 V	130,000	230,000	67,750
32228 V	140,000	250,000	71,750
32230 V	150,000	270,000	77,000

323 SERIES			
32304 V	20,000	52,000	22,250
32305 V	25,000	62,000	25,250
32306 V	30,000	72,000	28,750
32307 V	35,000	80,000	32,750
32308 V	40,000	90,000	35,250
32309 BV	45,000	100,000	38,250



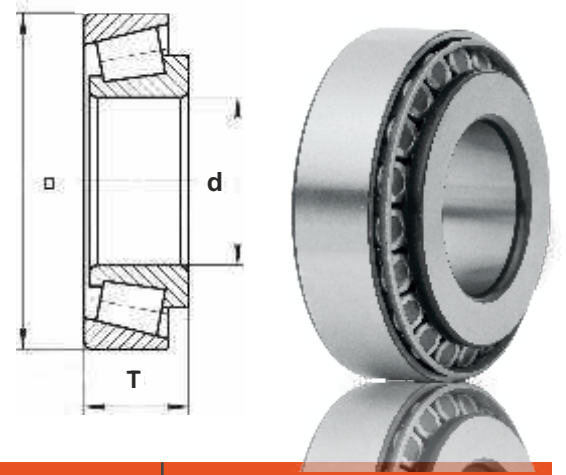
01.1 | METRIC SERIES

VIMAL	d (mm)	D (mm)	T (mm)
323 SERIES			
32309V	45,000	100,000	38,250
32310/55	55,000	110,000	42,250
32310V	50,000	110,000	42,250
32311V	55,000	120,000	45,500
32312V	60,000	130,000	48,500
32313 BV	65,000	140,000	51,000
32313V	65,000	140,000	51,000
32314 BV	70,000	150,000	54,000
32314V	70,000	150,000	54,000
32315V	75,000	160,000	58,000
32316V	80,000	170,000	61,500
32317V	85,000	180,000	63,500
32318V	90,000	190,000	67,500
32320V	100,000	215,000	77,500
330 SERIES			
33010V	50,000	80,000	24,000
33011V	55,000	90,000	27,000
33013V	65,000	100,000	27,000
33014V	70,000	110,000	31,000
33015V	75,000	115,000	31,000
33016V	80,000	125,000	36,000
33017V	85,000	130,000	36,000
33018V	90,000	140,000	39,000
33019V	95,000	145,000	39,000
33020V	100,000	150,000	39,000
33021V	105,000	160,000	43,000
33022V	110,000	170,000	47,000
33024V	120,000	180,000	48,000
331 SERIES			
33108V	40,000	75,000	26,000
33109V	45,000	80,000	26,000
33110V	50,000	85,000	26,000
33111V	55,000	95,000	30,000
33112V	60,000	100,000	30,000
33113V	65,000	110,000	34,000
33114V	70,000	120,000	37,000



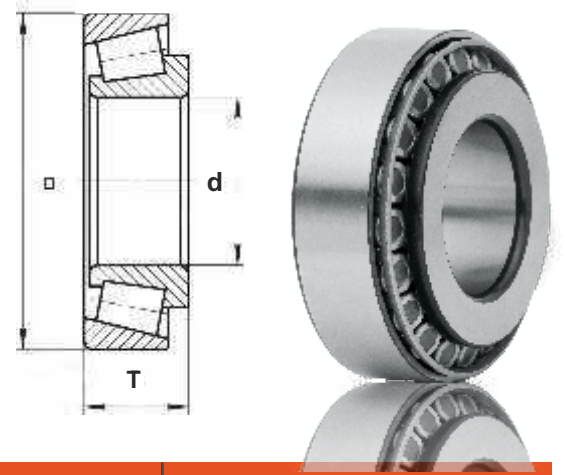
01.1 | METRIC SERIES

VIMAL	d (mm)	D (mm)	T (mm)
331 SERIES			
33115V	75,000	125,000	37,000
33116V	80,000	130,000	37,000
33117V	85,000	140,000	41,000
33118V	90,000	150,000	45,000
332 SERIES			
33205V	25,000	52,000	22,000
33206V	30,000	62,000	25,000
33207V	35,000	72,000	28,000
33208V	40,000	80,000	32,000
33209V	45,000	85,000	32,000
33210V	50,000	90,000	32,000
33211V	55,000	100,000	35,000
33212V	60,000	110,000	38,000
33213V	65,000	120,000	41,000
33214V	70,000	125,000	41,000
33215V	75,000	130,000	41,000
33216V	80,000	140,000	46,000
33217V	85,000	150,000	49,000
33219V	95,000	170,000	58,000
33220V	100,000	180,000	63,000



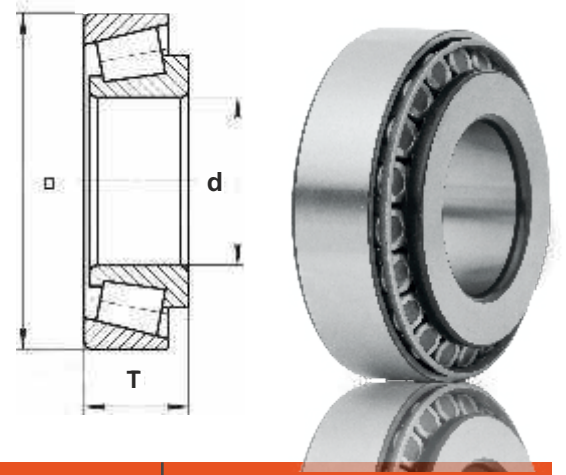
01.2 | INCH SERIES

VIMAL	d (mm)	D (mm)	T (mm)
4 A/6	19,050	44,450	12,700
336/332	41,275	80,000	21,000
342 A/332	41,275	80,000	28,574
344/332	40,000	80,000	21,000
355 X/352	44,450	90,119	23,000
359 A/354 X	46,038	85,000	20,638
359 S/354 X	46,038	85,000	20,638
365/362	50,000	90,000	20,000
368 A/362 A	50,000	88,900	20,638
368 A/362 X	50,000	90,000	25,000
368 S/362	51,592	90,000	20,000
368 S/362 A	51,592	88,900	20,638
369 A/362 A	47,625	88,900	20,638
369 A/363	47,625	90,000	20,000
369 S/362	47,625	90,000	20,000
369 S/362 A	47,625	88,900	20,638
369 S/363	47,625	90,000	20,000
385/382	55,000	98,425	21,000
385/382 A	55,000	96,838	21,000
385 A/382	50,800	98,425	21,000
385 A/382 A	50,800	96,838	21,000
386 A/382 A	47,625	96,838	21,000
387/382	57,150	98,425	21,000
387/382 A	57,150	96,838	21,000
387/382 S	57,150	96,838	25,400
387 A/382	57,150	98,425	21,000
387 A/382 A	57,150	96,838	21,000
387 A/382 S	57,150	96,838	25,400
387 A/383 A	57,150	100,000	21,000
387 AS/382 A	57,150	96,838	21,000
387 AS/382 S	57,150	96,838	25,400
387 S/382	57,150	98,425	21,000
387 S/382 S	57,150	96,838	25,400
387 S/383 A	57,150	100,000	21,000
388 A/382	57,531	98,425	21,000
389 A/382 A	53,975	96,838	21,000



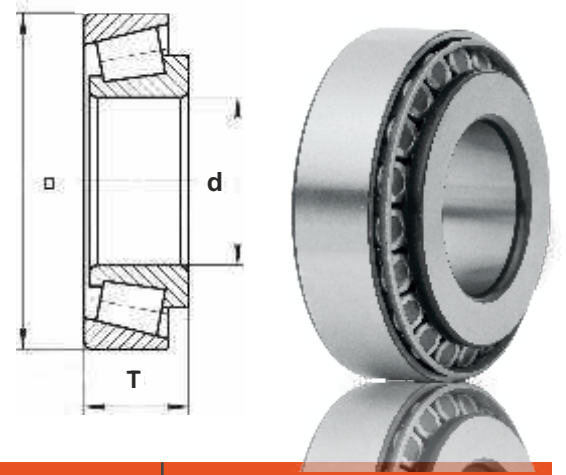
01.2 | INCH SERIES

VIMAL	d (mm)	D (mm)	T (mm)
529/522	50,800	101,600	34,925
529 X/522	50,800	101,600	34,925
536/532 X	47,625	107,950	36,512
537/532 X	50,800	107,950	36,512
538/532	54,988	111,125	38,100
538/532 A	54,990	111,130	38,100
539/532 A	53,975	111,125	38,100
539/532 X	53,975	107,950	36,512
555 S/552 A	57,150	123,825	38,100
557 S/552 A	53,970	123,820	38,100
559/552 A	63,500	123,825	38,100
566/563	69,850	127,000	36,512
567/563	73,025	127,000	36,512
567 X/563	73,025	127,000	36,512
568/563	73,817	127,000	36,512
575/572	76,200	139,992	36,512
575/572 A	53,970	123,820	38,100
575/572 X	76,200	139,700	36,512
576/572	73,025	139,992	36,512
580/572	82,550	139,992	36,512
582/572	82,550	139,992	36,513
580/572 A	82,550	139,982	35,250
580/572 X	82,550	139,700	36,512
594/592 A	95,250	152,400	39,688
594/593 X	95,250	150,000	35,992
594 A/592 A	95,250	152,400	39,688
594 A/593 X	95,250	150,000	35,992
598/592 A	92,075	152,400	39,688
598 A/592 A	92,075	152,400	39,688
598 A/593 X	92,075	150,000	35,992
619/612	50,800	120,650	41,275
621/612	53,975	120,650	41,275
641/632	66,675	136,525	41,275
641/633	66,675	130,175	41,275
644/632	71,438	136,525	41,275
659/653	76,200	146,050	41,275



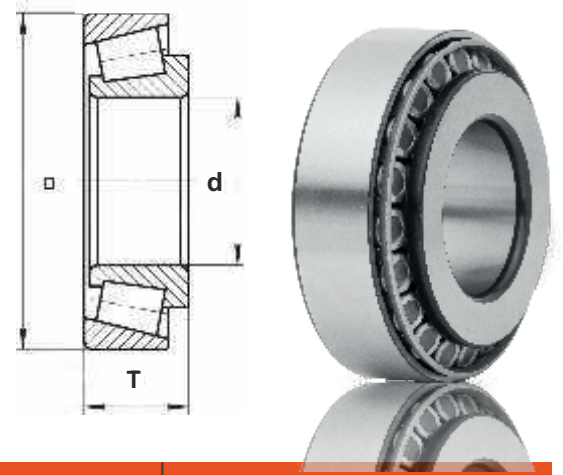
01.2 | INCH SERIES

VIMAL	d (mm)	D (mm)	T (mm)
663/653	39,688	76,200	23,812
665/653	38,100	80,167	29,370
665 A/653	39,688	80,167	29,370
681/672	41,275	80,167	29,370
681 A/672	39,688	80,167	29,370
683/672	39,688	79,975	29,370
687/672	33,338	79,975	29,370
740/742	34,925	79,975	29,370
749/742	38,100	84,138	29,370
749 A/742	41,275	87,312	30,162
749 S/742	41,275	84,138	30,162
759/752	44,450	87,312	30,162
1280/1220	44,450	87,312	30,162
1380/1328	45,237	79,975	30,162
1680/1620	52,388	93,264	30,162
1779/1729 X	50,800	93,264	30,162
1780/1729	44,983	93,264	30,162
1985/1922	47,625	93,264	30,162
1985/1930	50,800	93,264	30,162
1985/1931	50,800	93,662	30,162
1985/1932	44,450	93,264	30,162
1986/1931	50,800	93,264	30,162
1986/1932	50,800	93,662	30,162
1988/1922	34,000	85,000	30,162
1988/1931	41,275	85,725	30,000
2580/2520	36,512	85,725	30,162
2580/2523	60,325	112,712	30,162
2585/2523	63,500	112,712	30,162
2689/2631	63,500	110,000	30,162
2780/2720	66,675	112,712	30,162
2780/2729	66,675	112,712	30,162
2788/2720	66,675	112,712	30,162
2788/2729	66,675	110,000	30,162
2789/2720	57,150	110,000	29,000



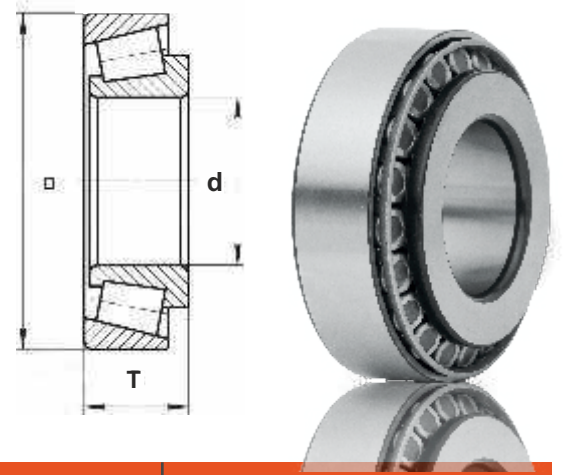
01.2 | INCH SERIES

VIMAL	d (mm)	D (mm)	T (mm)
JV 4049/JV 4010	40,000	85,000	33,000
4367 X/4335	39,688	90,488	39,688
4388/4335	41,275	90,488	39,688
JV 4549/JV 4510	45,000	95,000	36,000
JW 4549/JW 4510	45,000	95,000	29,000
4580/4535	50,800	104,775	39,687
JV 5049/JV 5010	50,000	100,000	36,000
JW 5049/JW 5010	50,000	105,000	32,000
5395/5335	49,212	103,188	43,658
JW 5549/JW 5510	55,000	115,000	34,000
5566/5535	55,562	122,238	43,658
5760/5735	76,200	135,733	44,450
JV 6049/JV 6010	60,000	115,000	40,000
JW 6049/JW 6010	60,000	125,000	37,000
A 6075/A 6157	19,050	39,992	12,014
6280/6220	53,975	127,000	50,800
6379/6320	65,088	135,755	53,975
6386/6320	66,675	135,755	53,975
6461/6420	76,200	149,225	53,975
6461 A/6420	76,200	149,220	53,970
JD 6549/JD 6510	65,000	110,000	31,000
JV 7049/JV 7010	70,000	130,000	43,000
JV 7049 A/JV 7010	70,000	130,000	43,000
JW 7049/JW 7010	70,000	140,000	39,000
JW 8049/JW 8010	80,000	160,000	45,000
9278/9220	68,262	161,925	49,212
9285/9220	76,200	161,925	49,212
9380/9321	73,000	171,000	49,000
JV 9549/JV 9510	95,000	160,000	46,000
02474/02420	28,575	68,262	22,225
02475/02420	31,750	68,262	22,225
02872/02820	28,575	73,025	22,225
05066/05185	16,993	47,000	14,382
07087/07204	22,225	51,994	15,011
07087/07210 X	22,225	50,800	15,011



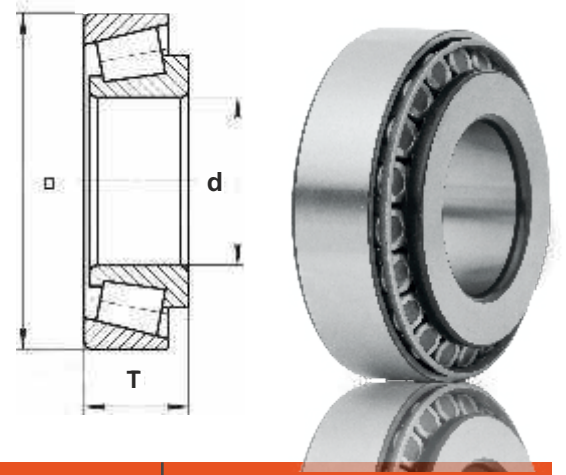
01.2 | INCH SERIES

VIMAL	d (mm)	D (mm)	T (mm)
07087 X/07210 X	22,225	50,800	15,011
07097/07204	25,000	51,994	15,011
07100/07196	25,400	50,005	13,495
07100/07204	25,400	51,994	15,011
07100 S/07196	25,400	50,005	13,495
07100 S/07210 X	25,400	50,800	15,011
09067/09195	19,050	49,225	18,034
09067/09196	19,050	49,225	21,209
09074/09194	19,050	49,225	23,020
09074/09195	19,050	49,225	19,845
09074/09196	19,050	49,225	23,020
09081/09195	20,625	49,225	19,845
09081/09196	20,625	49,225	23,020
JV 10049/JV 10010	100,000	165,000	47,000
JP 10049/JP 10010	100,000	145,000	24,000
JP 10049/JP 10010 A	100,000	145,000	24,000
11162/11300	41,275	76,200	18,009
11163/11300	41,275	76,200	18,009
11590/11520	15,875	42,862	14,288
LM 11749/LM 11710	17,462	39,878	13,843
LM 11949/LM 11910	19,050	45,237	15,494
LM 11949 RS/LM 11910	19,050	45,237	15,494
JP 12049/JP 12010	120,000	170,000	27,000
JP 12049 A/JP 12010	120,000	170,000	27,000
M 12649/M 12610	21,430	50,005	17,526
M 12649V/M 12610V	21,430	50,005	17,026
LM 12748/LM 12710	21,430	45,237	15,494
LM 12749/LM 12710	21,986	45,237	15,494
LM 12749/LM 12711	21,986	45,974	15,494
JP 13049/JP 13010	130,000	185,000	29,000
13685/13621	38,100	69,012	19,050
13686/13621	38,100	69,010	26,190
13687/13620	38,100	69,012	19,050
13687/13621	38,100	69,012	19,050
14116/14276	30,226	69,012	19,845



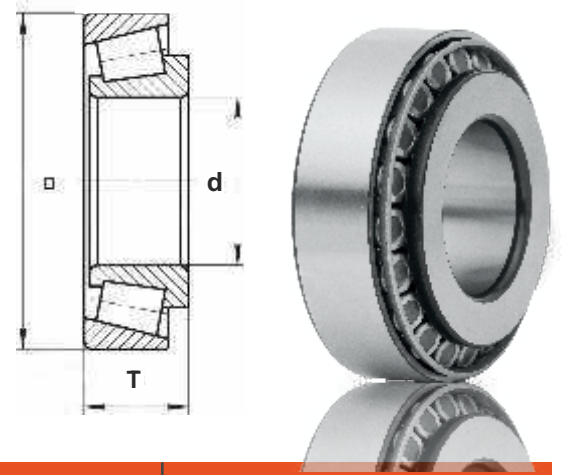
01.2 | INCH SERIES

VIMAL	d (mm)	D (mm)	T (mm)
I4118/I4274	30,000	69,012	19,845
I4118/I4283	30,000	72,085	22,385
I4123 AA/I4274	31,750	69,012	26,983
I4123 AA/I4276	31,750	69,012	26,983
I4125 A/I4274	31,750	69,012	19,845
I4125 A/I4276	31,750	69,012	19,845
I4125 A/I4283	31,750	72,085	22,385
I4130/I4274	33,338	69,012	19,845
I4130/I4276	33,338	69,012	19,845
I4131/I4274	33,338	69,012	19,845
I4131/I4276	33,338	69,012	19,845
I4136 A/I4276	34,925	69,012	26,983
I4137 A/I4274	34,925	69,012	19,845
I4137 A/I4276	34,925	69,012	19,845
I4137 AS/I4276	34,925	69,012	19,845
I4138 A/I4274	34,925	69,012	19,845
I4138 A/I4276	34,925	69,012	19,845
I4138 A/I4283	34,925	72,085	22,385
I4585/I4525	34,925	68,262	20,638
I5100/I5245	25,400	62,000	19,050
I5100/I5250	25,400	63,500	20,638
I5100/I5250 X	25,400	63,500	20,638
I5101/I5245	25,400	62,000	19,050
I5101/I5250	25,400	63,500	20,638
I5101/I5250 X	25,400	63,500	20,638
I5103/I5243	26,000	61,000	19,000
I5103/I5244	26,000	62,000	19,000
I5103/I5245	26,000	62,000	19,000
I5103/I5250	26,000	63,000	20,000
I5103/I5250 X	26,000	63,000	20,000
I5103 S/I5243	26,162	61,912	19,050
I5103 S/I5245	26,162	62,000	19,050
I5106/I5245	26,988	62,000	19,050
I5106/I5250	26,988	63,500	20,638



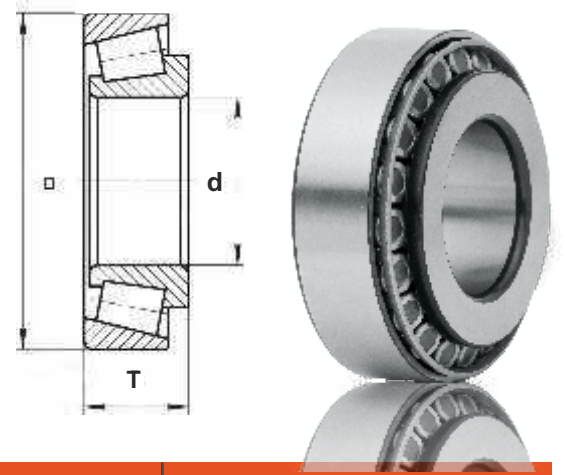
01.2 | INCH SERIES

VIMAL	d (mm)	D (mm)	T (mm)
I5106/I5250 X	26,988	63,500	20,638
I5112/I5245	28,575	62,000	19,050
I5112/I5250	28,575	63,500	20,638
I5112/I5250 X	28,575	63,500	20,638
I5117/I5245	29,987	62,000	19,050
I5118/I5245	30,213	62,000	19,050
I5118/I5250	30,213	63,500	20,638
I5118/I5250 X	30,213	63,500	20,638
I5123/I5244	31,750	62,000	19,749
I5123/I5245	31,750	62,000	18,161
I5123/I5250 X	31,750	63,500	19,749
I5126/I5245	31,750	62,000	19,749
I5126/I5250 X	31,750	63,500	20,638
I5578/I5520	25,400	57,150	17,462
I5579 X/I5520	25,987	57,150	17,462
I5580/I5520	26,988	57,150	17,462
J I5585/I5520	28,000	57,150	17,462
I6150/I6284	38,100	72,238	20,638
I7887/I7831	45,230	79,985	19,842
I8590/I8520	41,275	73,025	16,667
I8690/I8620	46,038	79,375	17,462
I8790/I8720	50,800	85,000	17,462
I9150/I9268	38,100	68,262	15,875
21075/21212	19,050	53,975	22,225
23690/23620	34,925	73,025	26,988
24780/24720	41,275	76,200	22,225
24780/24721	41,275	76,200	25,400
24781/24720	41,275	76,200	22,225
24781/24721	41,275	76,200	25,400
25576/25520	42,862	82,931	23,812
25577/25520	42,862	82,931	23,812
25577/25521	42,862	83,058	23,812
25577/25522	42,862	83,058	23,876
25577/25523	42,862	82,931	26,988



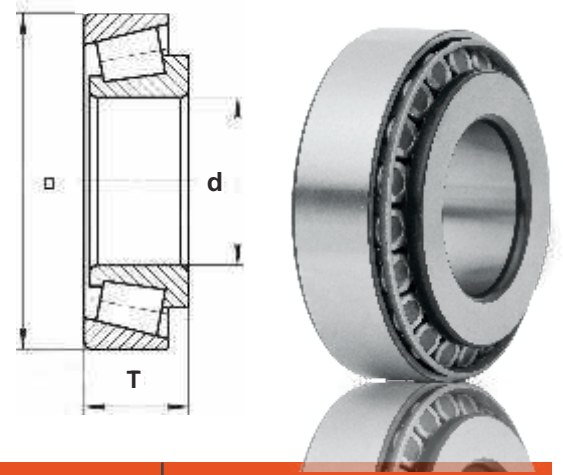
01.2 | INCH SERIES

VIMAL	d (mm)	D (mm)	T (mm)
25578/25520	42,862	82,931	23,812
25578/25521	42,862	83,058	23,812
25578/25522	42,862	83,058	23,876
25578/25523	42,862	82,931	26,988
25580/25520	44,450	82,931	23,812
25580/25521	44,450	83,058	23,812
25580/25522	44,450	83,058	23,876
25580/25523	44,450	82,931	26,988
25581/25520	44,450	82,931	23,813
25584/25520	44,983	82,931	23,812
25584/25521	44,983	83,058	23,813
25584/25547 RB	44,983	99,995	25,400
25584 A/25520	44,987	82,931	23,812
25590/25520	45,618	82,931	23,812
25590/25521	45,618	83,058	23,812
25590/25522	45,618	83,058	23,876
25590/25523	45,618	82,931	26,988
25877/25820	34,925	73,025	23,812
25877/25821	34,925	73,025	23,812
25878/25820	34,925	73,025	23,812
25880/25820	36,487	73,025	23,812
25880/25821	36,487	73,025	23,812
JL 26749 F/JL 26710	32,000	53,000	14,500
26878/26823	38,100	76,200	25,400
26882/26820	41,275	80,167	25,400
26882/26822	41,275	79,375	23,812
26884/26823	42,875	76,200	25,400
27687/27620	82,550	125,412	25,400
27690/27620	83,345	125,412	25,400
27695/27620	85,000	125,412	25,400
28137/28317	34,925	80,035	21,433
28579/28520	49,987	89,980	24,750
28580/28520	50,800	89,980	24,750
28580/28521	50,800	92,075	24,608
28580/28527 RB	50,800	99,995	24,607



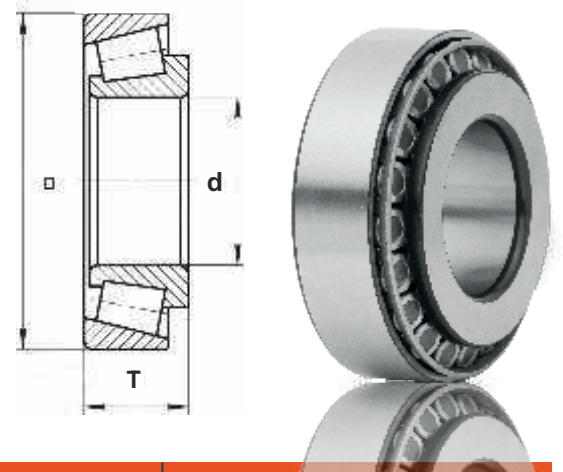
01.2 | INCH SERIES

VIMAL	d (mm)	D (mm)	T (mm)
28584/28521	52,388	92,075	24,608
28680/28622	55,560	97,630	24,600
28682/28621	57,150	96,838	24,608
28682/28622	57,150	97,630	24,608
28985/28920	60,325	101,600	25,400
28985/28921	60,325	100,000	25,400
29585/29520	63,500	107,950	25,400
29586/29520	63,500	107,950	25,400
29586/29522	63,500	107,950	25,400
29590/29520	66,675	107,950	25,400
29590/29522	66,675	107,950	25,400
29675/29620	69,850	112,712	25,400
29675/29630	69,850	120,650	25,400
29685/29620	73,025	112,712	25,400
29688/29620	73,000	112,000	25,000
LM 29748/LM 29710	38,100	65,088	18,034
LM 29748/LM 29711	38,100	65,088	18,034
LM 29749/LM 29710	38,100	65,088	18,034
LM 29749/LM 29711	38,100	65,088	19,812
31593/31520	34,925	76,200	29,370
31594/31520	34,925	76,200	29,370
33262/33462	66,675	117,475	30,162
33262 A/33461	66,675	117,475	30,163
33275/33462	69,850	117,475	30,162
33275/33472	69,850	120,000	29,794
33281/33462	71,438	117,475	30,162
33281/33472	71,438	120,000	29,794
33287/33462	73,025	117,475	30,162
33287/33472	73,025	120,000	29,794
33885/33822	44,450	95,250	27,783
33889/33821	50,800	95,250	27,783
33889/33822	50,800	95,250	27,783
33891/33821	52,388	95,250	27,783
33895/33821	53,975	95,250	27,783
33895/33822	53,975	95,250	27,783



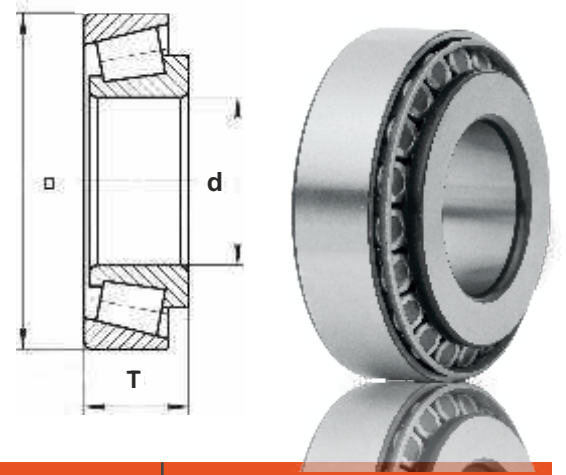
01.2 | INCH SERIES

VIMAL	d (mm)	D (mm)	T (mm)
34300/34478	76,200	121,442	24,608
34300/34500	76,200	127,000	26,988
34301/34500	76,200	127,000	26,988
34306/34478	77,788	121,442	24,608
37425/37625	107,950	158,750	23,020
37431/37625	109,538	158,750	23,020
37431 A/37625	109,538	158,750	23,020
39250/39412	63,500	104,775	21,433
39580/39520	57,150	112,712	30,162
39580/39528	57,150	119,985	32,750
39581/39520	57,150	112,712	30,162
39585/39520	63,500	112,712	30,162
39590/39520	66,675	112,712	30,162
41125/41286	28,575	72,626	24,608
42350/42584	88,900	148,430	28,575
42362/42584	92,075	148,430	28,575
42368/42584	93,662	148,430	28,575
42381/42584	96,838	148,430	28,575
42688/42620	76,200	127,000	30,162
43112/43312	28,000	79,000	25,000
44131/44348	33,000	88,000	25,000
44162/44348	41,275	88,500	25,400
L 44643/L 44610	25,400	50,292	14,224
L 44643 RS/L 44610	25,400	50,292	14,224
L 44645/L 44613	25,987	51,986	15,011
L 44649/L 44610	26,988	50,292	14,224
45280/45220	44,450	104,775	30,162
45284/45220	50,800	104,775	30,162
45285 A/45220	50,800	104,775	30,162
45285 A/45221	50,800	104,775	30,162
45289/45220	57,150	104,775	30,162
45291/45220	57,150	104,775	30,162
L 45449/L 45410	29,000	50,292	14,224
47487/47420	69,850	120,000	32,545
47490/47420	71,438	120,000	32,545



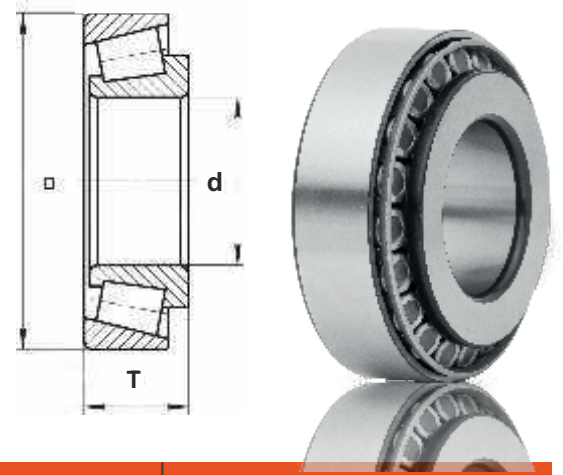
01.2 | INCH SERIES

VIMAL	d (mm)	D (mm)	T (mm)
47686/47620	82,550	133,350	33,338
47687/47623 A	82,550	136,525	44,450
47679/47620	76,200	133,350	30,162
47890/47820	92,075	146,050	33,338
48190/48120	107,950	161,925	34,925
48290/48220	127,000	182,562	39,689
48684/48620	142,875	200,025	41,275
LM 48548/LM 48510	34,925	65,088	18,034
LM 48548/LM 48514 XP	34,925	68,262	18,034
LM 48548 RS/LM 48510	34,925	65,088	18,034
49162/49368	41,275	93,662	31,750
49175/49368	44,450	93,662	31,750
49585/49520	50,800	101,600	31,750
52400/52618	101,600	157,162	36,512
53176/53375	44,450	95,250	30,958
53177/53375	44,450	95,250	30,958
53178/53375	44,450	95,250	30,958
53178/53377	44,450	95,250	30,958
55175 C/55437	44,450	111,125	30,162
55187 C/55437	47,625	111,125	30,162
55200 C/55437	50,800	111,125	30,162
55206 C/55437	52,388	111,125	30,162
55212 C/55437	53,970	111,120	30,160
56425/56650	107,950	165,100	36,512
59162/59412	41,275	104,775	36,512
59175/59412	44,450	104,775	36,512
64450/64700	114,300	177,800	41,275
65237/65500	60,325	127,000	44,450
66589/66520	59,972	122,238	33,338
LM 67048/LM 67010	31,750	59,131	15,875
LM 67048/LM 67014	31,750	61,986	15,875
LM 67048/LM 67014 X	31,750	61,986	15,875
LM 67048 RS/LM 67010	31,750	59,131	15,875
LM 67049/LM 67011	31,750	59,131	17,780
LM 67049 A/LM 67010	31,750	59,131	15,875



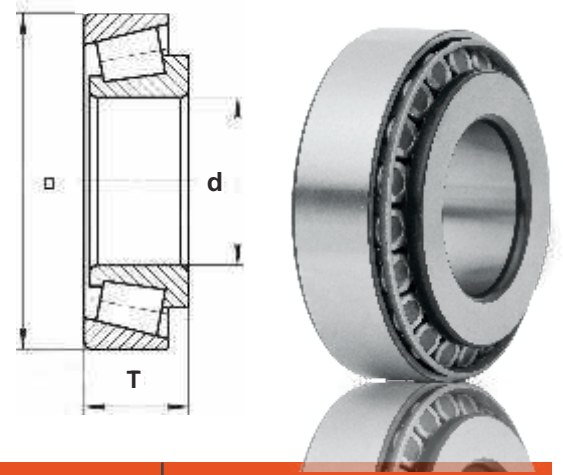
01.2 | INCH SERIES

VIMAL	d (mm)	D (mm)	T (mm)
LM 67049 A/LM 67014	31,750	61,986	15,875
67885/67820	190,500	266,700	47,625
JL 68145/JL 68111 Z	35,000	60,000	15,875
L 68149/L 68110	34,987	59,131	15,875
L 68149/L 68111	34,987	59,975	15,875
L 68149/L 68116	34,987	65,088	15,875
L 68149 R/L 68110	34,987	59,131	15,875
68462/68712	117,475	180,975	34,925
JL 69345/JL 69310 Z	38,000	63,000	17,000
JL 69349/JL 69310	38,000	63,000	17,000
69354/69630	89,992	160,096	30,124
72187/72487	47,625	123,825	36,512
72187 C/72487	47,000	123,000	36,000
72200 C/72487	50,800	123,825	36,512
72212/72487	53,975	123,825	36,512
72212 C/72487	53,975	123,825	36,512
72218 C/72487	55,562	123,825	36,512
72225 C/72487	57,150	123,825	36,512
77375/77675	95,000	171,000	47,000
78215 C/78551	53,975	140,030	36,513
78225 C/78551	57,150	140,030	36,513
LM 78349/LM 78310 A	34,987	61,975	16,700
HM 81649/HM 81610	15,987	46,975	21,000
M 84249/M 84210	25,400	59,530	23,368
M 84548/M 84510	25,400	57,150	19,431
M 86647/M 86610	28,575	68,262	21,433
M 86648 A/M 86610	30,955	68,262	21,432
M 86649/M 86610	30,162	68,262	21,433
M 88043/M 88010	30,162	68,262	22,225
M 88043/M 88011	30,162	68,262	22,225
M 88046/M 88010	31,750	68,262	22,225
M 88048/M 88010	33,338	68,262	22,225
JHM 88540/JHM 88513	30,000	72,000	29,370
HM 88542/HM 88510	31,750	73,025	29,370



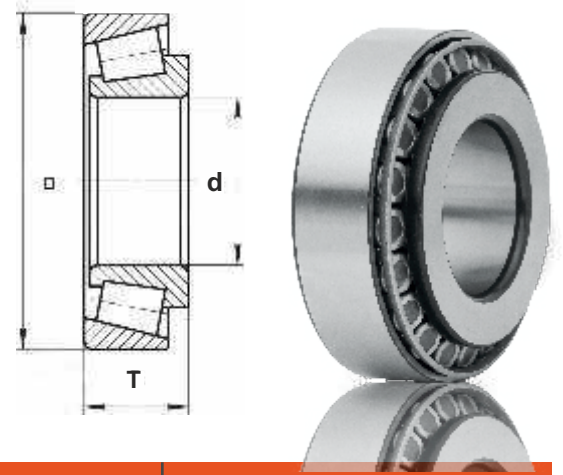
01.2 | INCH SERIES

VIMAL	d (mm)	D (mm)	T (mm)
HM 88547/HM 88510	33,338	73,025	29,370
HM 88648/HM 88610	35,717	72,233	25,400
HM 88649/HM 88610	34,925	72,233	25,400
HM 89443/HM 89410	33,338	76,200	29,370
HM 89443/HM 89411	33,338	76,200	29,370
HM 89446/HM 89410	34,925	76,200	29,370
HM 89448/HM 89410	36,512	76,200	29,370
HM 89449/HM 89410	36,512	76,200	29,370
LM 102949/LM 102910	45,242	73,431	19,558
JLM 104945/JLM 104910	50,000	82,000	21,500
JLM 104946/JLM 104910	50,000	82,000	21,500
JLM 104948/JLM 104910	50,000	82,000	21,500
JLM 104948/LM 104911	50,000	82,550	21,500
LM 104949/JLM 104910	50,800	82,000	21,976
LM 104949/LM 104911	50,800	82,550	21,976
LM 104949/LM 104912	50,800	82,931	21,590
HM 204043/HM 204010	39,987	90,975	32,000
JM 205149/JM 205110	50,000	90,000	28,000
JM 207049/JM 207010	55,000	95,000	29,000
JM 207049 A/JM 207010	55,000	95,000	29,000
JH 211749/JH 211710	65,000	120,000	39,000
HM 212044/HM 212011	60,325	122,238	38,100
HM 212047/HM 212011	63,500	122,238	38,100
HM 212049/HM 212010	66,675	122,238	38,100
HM 212049/HM 212011	66,675	122,238	38,100
H 212749/H 212710	65,987	123,975	41,500
HM 215249/HM 215210	75,987	131,975	39,000
LL 217849/LL 217810	88,900	121,442	15,083
HM 218248/HM 218210	89,974	146,975	40,000
HM 220149/HM 220110	99,975	156,975	42,000
LM 300849/LM 300811	40,987	67,975	17,500
JHM 318448/JHM 318410	90,000	155,000	44,000
LL 319349/LL 319310	95,250	128,587	15,875
LM 330448/LM 330410	152,400	203,200	41,275
H 414242/H 414210	66,675	136,525	41,275



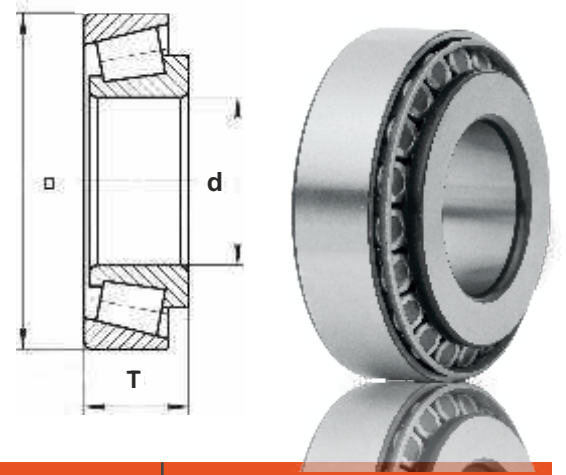
01.2 | INCH SERIES

VIMAL	d (mm)	D (mm)	T (mm)
H 414245 X/H 414210	68,262	136,525	41,275
LM 501349/LM 501310	41,275	73,431	19,558
LM 501349/LM 501314	41,275	73,431	21,430
LM 503349/LM 503310	45,987	74,976	18,000
LM 503349 A/LM 503310	45,987	74,976	18,000
JLM 506849/JLM 506810	55,000	90,000	23,000
JLM 506849 A/JLM 506811	55,000	90,000	25,000
JLM 508748/JLM 508710	60,000	95,000	24,000
JM 511945/3920	65,000	112,712	29,020
JM 511945/JM 511910	65,000	110,000	28,000
JM 511946/JM 511910	65,000	110,000	28,000
HM 516448 /HM 516414 B	82,550	136,525	12,319
HM 516449 A/HM 516410	82,550	133,350	39,687
HM 516449 C/HM 516410	82,550	133,350	39,688
JHM 516849/JHM 516810	85,000	140,000	39,000
HM 518445/HM 518410	88,900	152,400	39,688
JHM 522649/JHM 522610	110,000	180,000	47,000
JM 515649/JM 515610	80,000	130,000	35,000
LM 603049/LM 603011	45,242	77,788	19,842
LM 603049/LM 603012	45,242	77,788	21,430
LM 603049/LM 603014	45,242	79,975	19,842
JM 612949/JM 612910	70,000	115,000	29,000
L 623149/L 623110	114,300	152,400	21,432
JLM 704649/JLM 704610	50,000	84,000	22,000
JLM 710949 C/JLM 710910	65,000	105,000	24,000
L 713049/L 713010	69,850	101,600	19,050
JLM 714149/JLM 714110	75,000	115,000	25,000
JM 714249/JM 714210	75,000	120,000	31,000
H 715332/H 715311	60,325	136,525	46,038
H 715334/H 715311	61,912	136,525	46,038
H 715336/H 715311	63,500	136,525	46,038
H 715340/H 715311	65,088	136,525	46,038
H 715341/H 715311	66,675	136,525	46,038
H 715343/H 715311	68,262	136,525	46,038



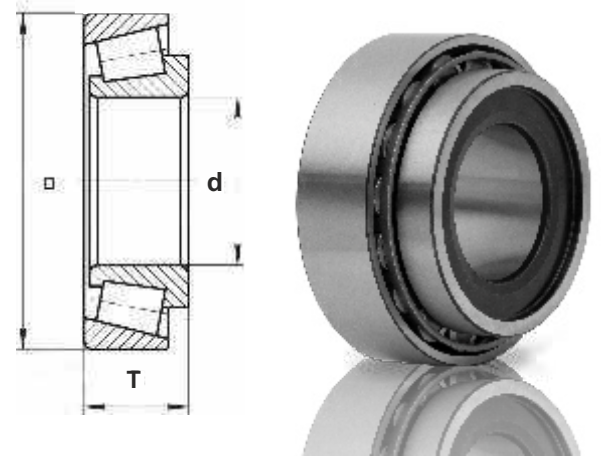
01.2 | INCH SERIES

VIMAL	d (mm)	D (mm)	T (mm)
H 715345/H 715311	71,438	136,525	46,038
H 715345/H 715313 W	71,000	136,000	49,000
JM 716649/JM 716610	85,000	130,000	30,000
JM 718149/JM 718110	90,000	145,000	35,000
JM 718149 A/JM 718110	90,000	145,000	35,000
JM 719149/JM 719113	95,000	150,000	35,000
JHM 720249/JHM 720210	100,000	160,000	41,000
JM 720249/JM 720210	100,000	155,000	36,000
HM 801346/HM 801310	38,100	82,550	29,370
HM 801346 X/HM 801310	38,100	82,550	29,370
M 802048/M 802011	41,275	82,550	26,543
HM 803145/HM 803110	41,275	88,900	30,163
HM 803146/HM 803110	41,275	88,900	30,163
HM 803149/HM 803110	44,450	88,900	30,163
M 804048/M 804010	47,625	88,900	25,400
M 804049/M 804010	47,625	88,900	25,400
HM 804840/HM 804810	41,275	95,250	30,162
HM 804843/HM 804810	44,450	95,250	30,162
HM 804846/HM 804810	47,625	95,250	30,162
LM 806649/LM 806610	53,975	88,900	19,050
LM 806649/LM 806610	53,975	88,900	19,050
HM 807040/HM 807010	44,450	104,775	36,512
HM 807044/HM 807010	49,212	104,775	36,512
JHM 807045/JHM 807012	50,000	105,000	37,000
HM 807046/HM 807010	50,800	104,775	36,512
HM 807048/HM 807010	54,487	104,775	36,512
HM 807049/HM 807010	53,975	104,775	36,512
JLM 813049/JLM 813010	70,000	110,000	26,000
HM 813840/HM 813811	55,562	127,000	36,512
HM 813841/HM 813810	60,325	127,000	36,512
HM 813841/HM 813811	60,325	127,000	36,512
HM 813842/HM 813810	63,500	127,000	36,512
HM 813843/HM 813810	61,912	127,000	36,512
HM 813844/HM 813810	66,670	127,000	36,512



01.2 | INCH SERIES

VIMAL	d (mm)	D (mm)	T (mm)
HM 813849/HM 813810	71,438	127,000	36,512
HM 813849/HM 813811	71,438	127,000	36,512
L 814749/L 814710	76,200	109,538	19,050
LM 814849/LM 814810	77,788	117,475	25,400
JL 819349/JL 819310	95,000	135,000	20,000
JM 822049/JM 822010	110,000	165,000	35,000
HM 903245/HM 903210	41,275	95,250	30,958
HM 903249/HM 903210	44,450	95,250	30,958
HM 905843/HM 905810	44,987	104,986	32,512
L 910349/L 910310	63,485	94,975	17,000
HM 911244/HM 911210	59,987	130,175	34,100
HM 911244/HM 911216	59,987	134,983	33,449
HM 911245/HM 911210	60,325	130,175	36,512
H 913842/H 913810	61,912	146,050	41,275
H 913843/H 913810	61,912	146,050	41,275
H 913849/H 913810	69,850	146,050	41,275
H 924033/H 924010	101,600	214,312	55,562



01.3 | SPECIAL DESIGN BEARINGS

VIMAL	CROSS REF.	d (mm)	D (mm)	T (mm)
V 59100	521471 A	60,000	130,000	39,000
V 59101	522380/33211	50,800	100,000	35,000
V 59102	543562	75,000	180,000	63,500
V 59103	534565	70,000	130,000	57,000
V 59104	528983 B	70,000	130,000	57,000
V 59105	50KW01	50,000	93,264	30,162
V 59106	540783	75,000	160,000	58,000
V 59107	331958 Q	88,000	140,000	32,000
V 59108	528946	105,000	170,000	38,000
V 59109	509333 A	65,000	145,000	36,000
V 59110	331075	65,000	145,000	39,500
V 59111	580779 A	89,975	146,975	40,000
V 59112	BT1B329012	70,000	150,000	39,800
V 59113	BT10097C	40,000	90,000	28,750
V 59114	568980	65,000	150,000	38,000
V 59115	804358	80,000	140,000	39,250
V 59116	543805	38,100	90,000	35,250
V 59117	562830 A	60,000	135,000	37,000
V 59118	575725.F51	65,000	165,000	40,000
580616	V 59119	75,000	140,000	34,250
572813	V 59120	70,000	150,000	64,000
567549	V 59121	99,975	156,975	42,000
33021	V 59122	105,000	160,000	43,000
Bt10163	V 59123	82,000	140,000	36,500
801794 B	V 59124	65,000	152,000	48,000
805015	V 59125	70,000	165,000	57,000
805096	V 59126	60,000	150,000	51,000
805097	V 59127	55,000	140,000	45,000
801400	V 59128	80,000	165,000	57,000
523361	V 59129	60,000	100,000	30,000
805312	V 59130	100,000	160,000	44,000
805050	V 59131	60,000	125,000	37,000
801785	V 59132	70,000	150,000	74,000
528595	V 59133	106,000	160,000	35,000
581841	V 59134	60,000	115,000	39,000
Bt1 0779	V 59135	101,600	160,000	35,000
518713	V 59136	44,983	112,712	34,512
29586 A/29522	V 59137	63,500	107,950	25,400

02 | WHEEL END HUB UNITS



02.1	WHEEL END HUB	6
02.2	WHEEL END KITS	6
02.3	WHEEL END MODULES	6

02.1 | WHEEL END HUB

V59014



d (mm)	D (mm)	B (mm)	Weight (kg)
82.00	140.00	115.00	6.450

OEM References

Brand	OEM
MERCEDES BENZ	014 981 5105
MERCEDES BENZ	014 981 9905
MERCEDES BENZ	A 021 981 7005
MERCEDES BENZ	017 981 5005
MERCEDES BENZ	016 981 2805
MERCEDES BENZ	014 981 9305
MAN	81.934200354
MAN	81.934200344

Application Reference

MERCEDES BENZ
GIGANT
MAN

Cross References

SKF VKBA 5419
SKF BTH 0022
SKF VKBA 5412
SKF BTH 0055
FAG 805003A.H195
FAG 201034
TIMKEN SET 1310
TIMKEN SET 1321

Fitting Position

Front axle
Real axle
Trailer axle

02.1 | WHEEL END HUB

V59015



d (mm)	D (mm)	B (mm)	Weight (kg)
68.000	127.000	115.000	6.150

OEM References

Brand	OEM
SCANIA	1365570
SCANIA	1439070
SCANIA	1443078
SCANIA	1476945
SCANIA	1336296
SCANIA	1382900
SCANIA	1413785
SCANIA	1724482
SCANIA	1356897
SCANIA	2310169
SCANIA	1868087

Application Reference

SCANIA
DAF
MAN

Cross References

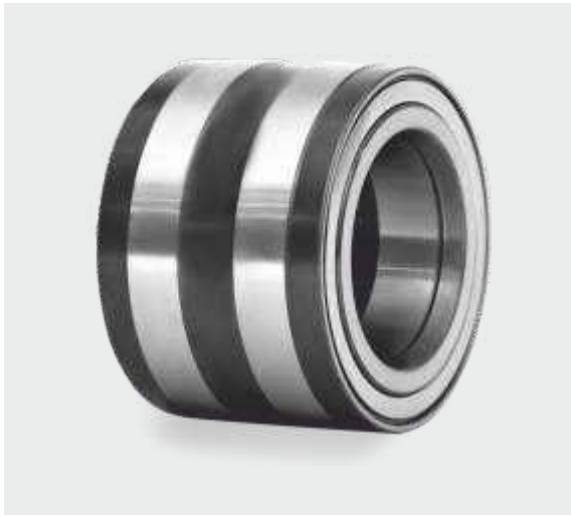
SKF BTH 0018A
SKF VKBA 5314
FAG 571762.H195
FAG 571762.01.H195
FAG 201037
TIMKEN NP 078914
TIMKEN SET 1231

Fitting Position

Front axle
Real axle

02.1 | WHEEL END HUB

V59016



d (mm)	D (mm)	B (mm)	Weight (kg)
82.00	140.00	115.00	6.450

OEM References

Brand	OEM
DAF	1703859
MERCEDES BENZ	013 981 9805
MERCEDES BENZ	013 981 2205
MERCEDES BENZ	002 980 7202
MERCEDES BENZ	013 981 2305

Application Reference

MERCEDES BENZ

Cross References

FAG	803194A
FAG	803194.26
SKF	VKBA 5415
SKF	BTH-0010 D
TIMKEN	NP 793154

Fitting Position

Front axle

Real axle

V59021



d (mm)	D (mm)	B (mm)	Weight (kg)
82.000	140.000	110.000	6.450

OEM References

Brand	OEM
DANA	833211
IVECO	7184080
IVECO	7184079
IVECO	2994058
VOLVO	85103258

Application Reference

IVECO

VOLVO

DANA

Cross References

FAG	805011C
SKF	VKBA 5409
TIMKEN	SET 1277
TIMKEN	SET 1237

Fitting Position

Real axle

02.1 | WHEEL END HUB

V59017



d (mm)	D (mm)	B (mm)	Weight (kg)
90.000	160.000	125.000	10.240

OEM References

Brand	OEM
DAF	1400291
DAF	1408086
IVECO	2996882
IVECO	7183075
IVECO	7183074
IVECO	7189648
IVECO	7179749
IVECO	7189050
IVECO	1905487
IVECO	7179751

Application Reference

DAF
IVECO

Cross References

SKF BTH 0053
SKF VKBA 5397
FAG 201059
FAG 805012.06.H195
TIMKEN SET 1242
TIMKEN

Fitting Position

Real axle

V59018



d (mm)	D (mm)	B (mm)	Weight (kg)
60.000	108.000	75.000	2.835

OEM References

Brand	OEM
MERCEDES BENZ	014 981 5705
MERCEDES BENZ	015 981 1905

Application Reference

MERCEDES BENZ

Cross References

FAG 201050
KOYO DU 60108
TIMKEN SET 1349

Fitting Position

Front axle

02.1 | WHEEL END HUB

V59019



d (mm)	D (mm)	B (mm)	Weight (kg)
55.000	90.000	60.000	1.400

OEM References

Brand	OEM
IVECO	7180066

Application Reference

IVECO

Cross References

SKF	BTH 1011
SKF	VKBA 3552
SKF	BTH 1011 /VKBA 3552

Fitting Position

Rear axle

V59020



d (mm)	D (mm)	B (mm)	Weight (kg)
78.000	130.000	90.000	4.410

OEM References

Brand	OEM
DANA	833202
IVECO	7181863
IVECO	7182915
MAN	81934200379
MAN	81934206083
MAN	81934200336
MAN	81934206099
NISSAN	73210LC55A
VDL	30030522
VOLVO	85103257

Application Reference

MAN
IVECO
VOLVO
DANA
NISSAN
VDL

Cross References

FAG	805092C
FAG	805092.07
SKF	VKBA 5418
TIMKEN	SET 1263

Fitting Position

Front axle
Real axle

02.2 | WHEEL END KIT

V59011



d (mm)	D (mm)	B (mm)	Weight (kg)
93.800	148.000	135.000	6.050

OEM References

Brand	OEM
SCANIA	2277946
RENTL	7420819860
RENTL	7420819834
RENTL	7420792439
RENTL	7420819859
RENTL	7420518661
RENTL	7420819846
RENTL	7421036050
RENTL	7420516957
RENTL	7420535262
RENTL	7420535264
RENTL	5001861915
VOLVO	20518661
VOLVO	1075408
VOLVO	20792440
VOLVO	20792439
VOLVO	20967828
VOLVO	21036050

Application Reference

SCANIA
RENTL
VOLVO

Cross References

FAG 800792D
SKF VKBA 5423
TIMKEN SET 1314

Fitting Position

Front axle
Real axle

02.2 | WHEEL END KIT

V59012



d (mm)	D (mm)	B (mm)	Weight (kg)
68.000	125.000	115.000	4.490

OEM References

Brand	OEM
RENUIT	7421024208
RENUIT	7420535202
RENUIT	7421021391
RENUIT	7420535203
RENUIT	7421024206
RENUIT	7420967831
RENUIT	7420518637
VOLVO	20382168
VOLVO	20518093
VOLVO	21021391
VOLVO	3988674
VOLVO	20518092
VOLVO	3988675
VOLVO	20967831
VOLVO	3988830
VOLVO	20518637
VOLVO	20728008
VOLVO	20558950
VOLVO	3988673

Application Reference

RENUIT
VOLVO

Cross References

FAG 581079C
SKF VKBA 5425
TIMKEN SET 2312
TIMKEN SET 1312

Fitting Position

Front axle
Real axle

02.2 | WHEEL END KIT

V59013



d (mm)	D (mm)	B (mm)	Weight (kg)
58.000	110.000	115.000	3.700

OEM References

Brand	OEM
RENTL	7420518617
RENTL	7421021381
RENTL	7421022434
RENTL	7421024188
VOLVO	20518617
VOLVO	22008157
VOLVO	20967830
VOLVO	20589393

Application Reference

RENTL

VOLVO

Cross References

FAG	805165
SKF	VKBA 5424
TIMKEN	SET 1311

Fitting Position

Front axle

Real axle

V59009



d (mm)	D (mm)	B (mm)	Weight (kg)
120.00	175.00	123.00	6.450

OEM References

Brand	OEM
SAF	03 434 3012 00
SAF	03 434 3010 00
SAF	04 200 1016 01
SAF	04 200 1016 02

Application Reference

IVECO

Cross References

FAG	803904
FAG	566830.H195

Fitting Position

Trailer Axle

02.2 | WHEEL END KIT

V5900I



d (mm)	D (mm)	B (mm)	Weight (kg)
93.800	148.000	135.000	6.050

OEM References

Brand	OEM
SCANIA	2277946
REULT	7420819860
REULT	7420819834
REULT	7420792439
REULT	7420819859
REULT	7420518661
REULT	7420819846
REULT	7421036050
REULT	7420516957
REULT	7420535262
REULT	7420535264
REULT	5001861915
VOLVO	20518661
VOLVO	1075408
VOLVO	20792440
VOLVO	20792439
VOLVO	20967828
VOLVO	21036050

Application Reference

SCANIA
REULT
VOLVO

Cross References

FAG 566425.H195
FAG 800792D
SKF VKBA 5423
TIMKEN SET 1314

Fitting Position

Front axle
Real axle

02.2 | WHEEL END KIT

V59002



d (mm)	D (mm)	B (mm)	Weight (kg)
68.000	125.000	115.000	4.490

OEM References

Brand	OEM
RENUIT	7421024208
RENUIT	7420535202
RENUIT	7421021391
RENUIT	7420535203
RENUIT	7421024206
RENUIT	7420967831
RENUIT	7420518637
VOLVO	20382168
VOLVO	20518093
VOLVO	21021391
VOLVO	3988674
VOLVO	20518092
VOLVO	3988675
VOLVO	20967831
VOLVO	3988830
VOLVO	20518637
VOLVO	20728008
VOLVO	20558950
VOLVO	3988673

Application Reference

RENUIT
VOLVO

Cross References

FAG 566426.H195
FAG 581079C
SKF VKBA 5425
TIMKEN SET 2312
TIMKEN SET 1312

Fitting Position

Front axle
Real axle

02.2 | WHEEL END KIT

V59003



d (mm)	D (mm)	B (mm)	Weight (kg)
58.000	110.000	115.000	3.700

OEM References

Brand	OEM
RENTL	7420518617
RENTL	7421021381
RENTL	7421022434
RENTL	7421024188
VOLVO	20518617
VOLVO	22008157
VOLVO	20967830
VOLVO	20589393

Application Reference

RENTL
VOLVO

Cross References

FAG 566427.H195
FAG 805165
SKF VKBA 5424
TIMKEN SET 1311

Fitting Position

Front axle
Real axle

V59004



d (mm)	D (mm)	B (mm)	Weight (kg)
105.000	160.000	140.000	6.890

OEM References

Brand	OEM
MAN	81 93420 0320
MAN	81 93420 6097
MAN	81 9320 0376
MAN	81 93420 0009
MAN	81 93420 0342
IVECO	5031 26457

Application Reference

MAN
IVECO
MERCEDES BENZ
VOLVO

Cross References

FAG 803750 B
SKF VKBA 5408
TIMKEN SET 1335

Fitting Position

Front axle
Real axle

02.2 | WHEEL END KIT

V59005



d (mm)	D (mm)	B (mm)	Weight (kg)
110.000	170.000	146.000	8.530

OEM References

Brand	OEM
MAN	81 93420 0346

Application Reference

MAN

Cross References

FAG	804162 A
SKF	VKBA 5416

Fitting Position

Real axle

V59006



d (mm)	D (mm)	B (mm)	Weight (kg)
60.000	100.000	110.000	3.200

OEM References

Brand	OEM
RENUIT	5010587029
VOLVO	20550678
VOLVO	85124433

Application Reference

RENUIT
VOLVO

Cross References

FAG	805531
-----	--------

Fitting Position

Front axle
Real axle

02.2 | WHEEL END KIT

V59010



d (mm)	D (mm)	B (mm)	Weight (kg)
120.00	175.00	123.00	6.450

OEM References

Brand	OEM
SAF	03 434 3019 00
SAF	03 434 3020 00
SAF	04 200 1020 00

Application Reference

SAF

Cross References

FAG	808918
FAG	570530.H195
TIMKEN	SET1370

Fitting Position

Trailer Axle

V59022



d (mm)	D (mm)	B (mm)	Weight (kg)
82.00	138.00	110.00	5.200

OEM References

Brand	OEM
SAF	03 434 3018 00
SAF	04 200 1019 00

Application Reference

SAF

Cross References

FAG	805415
FAG	569868.H195

Fitting Position

Trailer Axle

02.2 | WHEEL END KIT

V59058



d (mm)	D (mm)	B (mm)	Weight (kg)
60.00	168.00	102.00	P

OEM References

Brand	OEM
IVECO	7185473

Application Reference

IVECO

Cross References

FAG 201084

Fitting Position

Front Axle

Rear Axle

V59036



d (mm)	D (mm)	B (mm)	Weight (kg)
69.800	119.00	110.00	4.360

OEM References

Brand	OEM
DAF	1801595

Application Reference

DAF

Cross References

FAG 805051
 FAG 566834.H195
 TIMKEN SET 1351

Fitting Position

Front Axle

Rear Axle

02.2 | WHEEL END KIT

V59024



d (mm)	D (mm)	B (mm)	Weight (kg)
69.800	125.00	114.00	4.860

OEM References

Brand	OEM
DAF	1801592
VDL	41801592

Application Reference

DAF
VDL

Cross References

FAG 566074.H195
TIMKEN SET 1346

Fitting Position

Front Axle
Rear Axle

V59025



d (mm)	D (mm)	B (mm)	Weight (kg)
99.800	148.00	135.00	6.000

OEM References

Brand	OEM
DAF	1801594
VDL	41801594

Application Reference

DAF
VDL

Cross References

FAG 566283.H195
FAG 566283.01.H195
TIMKEN SET 1352

Fitting Position

Rear Axle

02.2 | WHEEL END KIT

V59026



d (mm)	D (mm)	B (mm)	Weight (kg)
69.800	119.00	110.00	4.360

OEM References

Brand	OEM
DAF	1801595

Application Reference

DAF

Cross References

FAG	566834.H195
TIMKEN	SET 1351

Fitting Position

Front Axle

V59027



d (mm)	D (mm)	B (mm)	Weight (kg)
82.800	138.00	130.00	6.100

OEM References

Brand	OEM
DAF	1801593

Application Reference

DAF

Cross References

FAG	566193.H195
-----	-------------

Fitting Position

Front Axle
Rear Axle

02.2 | WHEEL END KIT

V59035



d (mm)	D (mm)	B (mm)	Weight (kg)
99.800	148.00	135.00	6.000

OEM References

Brand	OEM
DAF	1801594
VDL	41801594

Application Reference

DAF
VDL

Cross References

FAG	805052
FAG	566283.H195
FAG	566283.01.H195
TIMKEN	SET 1352

Fitting Position

Rear Axle

V59037



d (mm)	D (mm)	B (mm)	Weight (kg)
78.000	130.00	135.00	5.000

OEM References

Brand	OEM
VOLVO	21102685
VOLVO	21363715

Application Reference

VOLVO

Cross References

FAG	568879
-----	--------

Fitting Position

Front Axle
Rear Axle

02.3 | WHEEL END MODULE

V59050



d (mm)	D (mm)	B (mm)	Weight (kg)
82.00	196.00	113.00	15.300

OEM References

Brand	OEM
SAF	03 434 3650 00
SAF	04 200 2001 00
SAF	03 200 2001 51
SAF	04 200 2001 01
SCHMITZ CARGOBULL	1003457
SCHMITZ CARGOBULL	100167601
SCHMITZ CARGOBULL	100167600
SCHMITZ CARGOBULL	1002689

Application Reference

SAF
SCHMITZ CARGOBULL

Cross References

FAG 564734.H195
FAG 805415 HUB
TIMKEN SET 1334
SKF VKBA 5549

Fitting Position

Trailer axle

V59051



d (mm)	D (mm)	B (mm)	Weight (kg)
70.00	196.00	130.00	13.000

OEM References

Brand	OEM
IVECO	5006207845
IVECO	42541578
MAN	81 93420 0349
MAN	81 93420 0330
MAN	81 93420 0323
MAN	81 93420 0288

Application Reference

IVECO
MAN

Cross References

FAG 801974AE.H195
SKF BTF 0110
SKF BTF 0021A
SKF VKBA 5377

Fitting Position

Front Axle
Rear Axle

02.3 | WHEEL END MODULE

V59052



d (mm)	D (mm)	B (mm)	Weight (kg)
70.00	195.00	110.00	11.220

OEM References

Brand	OEM
IVECO	504189654
RENAULT	5010439770
VOLVO	20764313

Application Reference

IVECO
MAN
RENAULT

Cross References

FAG 579205.H195
FAG 201043
SKF VKBA 5420
SNR HDS001
TIMKEN SET1350

Fitting Position

Front Axle
Rear Axle

V59053



d (mm)	D (mm)	B (mm)	Weight (kg)
60.00	168.00	102.00	9.300

OEM References

Brand	OEM
RENAULT	5010587029
VOLVO	20550678
VOLVO	85124433

Application Reference

RENAULT
VOLVO

Cross References

FAG 805531 HUB

Fitting Position

Front Axle
Rear Axle

02.3 | WHEEL END MODULE

V59054



d (mm)	D (mm)	B (mm)	Weight (kg)
55.00	145.00	100.00	3.000

OEM References	
Brand	OEM
MAN	81.934200337

Application Reference
MAN

Cross References	
SKF	VKBA 5411
SKF	BTF 0074A
FAG	201082

Fitting Position
Front Axle
Rear Axle

V59055



d (mm)	D (mm)	B (mm)	Weight (kg)
70.00	194.00	112.00	12.200

OEM References	
Brand	OEM
VOLVO	20764313

Application Reference
RENAULT
VOLVO

Cross References	
SKF	VKBA 5316
FAG	201043
FAG	HUR 040

Fitting Position
Front Axle
Rear Axle

02.3 | WHEEL END MODULE

V59056



d (mm)	D (mm)	B (mm)	Weight (kg)
50.00	140.00	95.00	5.770

OEM References

Brand	OEM
RENAULT	5010566154 A
RENAULT	5010566154

Application Reference

RENAULT

Cross References

FAG	201042
FAG	HUR056
SNR	HDS002

Fitting Position

Front Axle
Rear Axle

V59057



d (mm)	D (mm)	B (mm)	Weight (kg)
60.00	168.00	100.00	P

OEM References

Brand	OEM
IVECO	7187043

Application Reference

IVECO

Cross References

FAG	201083
-----	--------

Fitting Position

Front Axle
Rear Axle



☎ +912827252956/+912827252957

✉ vimalbearings@yahoo.com

🌐 www.vimalbearings.com

📍 NH - 27 Survey No 30, Plot No 4,
Near Kalariya Forge Shapar (Veraval)-360021, Rajkot.



Scan to Know More